

IP652 Overview

V1.1



Revision Record:

Version	Date	Author	Applicability
V1.0	2011-4-15	Anne	
V1.1	2011-4-20	Anne	

Table of Contents

1	Introduction.....	4
2	Overview.....	5
2.1	Appearance.....	5
2.2	Key Feature.....	6
2.3	Interfaces.....	6
2.4	Applied Environment.....	6
2.5	Codec and Voice Features.....	6
2.6	Call Features.....	6
2.7	Management.....	7
2.8	Applications.....	7
2.9	With Expansion Module (EXP40).....	7
2.10	LCD Screen.....	8
2.11	Web Configuration.....	8

1 Introduction

Flying Voice IP652 which has 5 lines is an advanced business VoIP (Voice over Internet Protocol) phone that provides voice communication over an IP network in the everyday business environment. It offers high voice quality HD handset, HD speaker and HD codec (G.722)

The built-in 20 multi-functional keys for programmed as the IP-PBX features like speed dial, BLF (Busy Lamp Field), shortcut key, Call Pickup, and Call Park, and the five dual-function keys below the LCD will help you to use the phone easily.

The IP652 can support up to 6 expansion modules (EXP40, the expansion modules of Flying Voice, which has 40 multi-functional keys).

Moreover, The IP652 has the rich external interfaces including PoE (Power over Ethernet), headset and expansion module ports for connecting to EXP40.

2 Overview

2.1 Appearance



Picture 1 IP652



Picture 2 IP652 with two EXP40

2.2 Key Feature

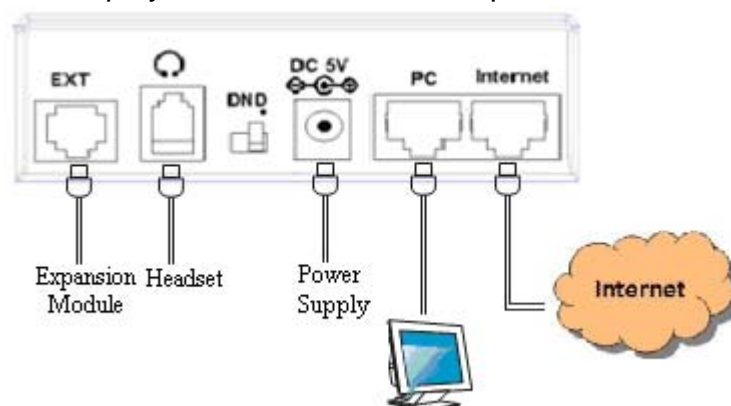
Five dual-function keys which can be used as line keys and softkey buttons.

Support 20 multi-functional keys can be used as speed dial button, BLF (Busy Lamp Field), shortcut key (Phonebook, Call History, Text Message, Volume+, Volume- and Login/Logout), Call Pickup, and Call Park.

Support up to 6 expansion modules with 40 multi-functional keys, the function of the multi-functional is the same as the multi-functional keys of IP652.

2.3 Interfaces

Following picture 1 displays the interfaces in rear panel.



Picture 3 Rear Panel

2.4 Applied Environment

Operation Temperature: 0~50 Degree C

Storage Temperature: -25~ 85 Degree C

Relative Humidity: 10%~90% No Condensing

Shock: Up to 75cm (30 inches) `Drop upon Package

2.5 Codec and Voice Features

The IP652 supports 4 codec: G.711 (A-Law, U-Law), G.729A/AB, G.723 with 5.3 kbps and 6.3 kbps, and G.722 (HD).

The IP652 supports VAD (Voice Active Detection), CNG (Comfort Noise Generation), AEC, ANC (Automatic Noisy Cancel), AGC (Automatic Gain Control) and adaptive Jitter buffer.

2.6 Call Features

5 lines, Call Waiting, Auto Answer, Music on hold, Caller ID and call waiting ID, 3-way Conference, Call Hold, Call Forwarding, Call Mute, Delayed Hotline , Redial, Call Transfer: blind transfer and attended transfer, Speed Dial, BLF, Pick up, Call

Park, Dial Plan, Phonebook, Black List, MWI, SMS, DND, Full-duplex Speakerphone, Call log: redial list, answered calls and missed calls, Volume Adjustment: Handset/Headset, Speaker and Ringer
DTMF Relay: In-band, Out-band (RFC2833) and SIP INFO

2.7 Management

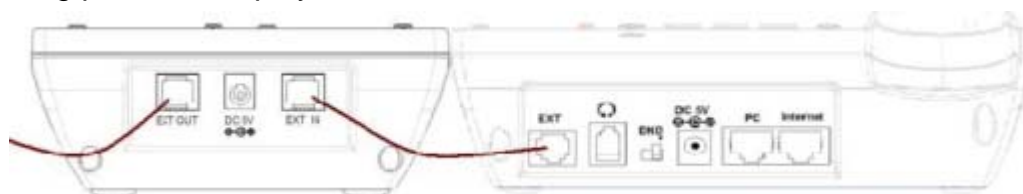
Menu Configuration, SNTP Time Synchronization, Daylight Saving Time, Alarm Clock, Password Reset, Web access management, Local and Remote Syslog (RFC3164), Factory Default, Firmware Upgradeable, Web Management Interface, Multi User Level, SNMPv2, TR069, Auto Provisioning: TFTP (including option 66), HTTP and HTTPS

2.8 Applications

MAC Address Cloning, VPN: PPTP and T2TP, DMZ, Direct IP to IP calling, IP conflict detection, Built-in NAT Router, DHCP Server and Client, Layer 2 QoS: 802.1Q/VLAN ID and 802.1p PRI
Layer 3 QoS: SIP QoS, RTP QoS and Data QoS
SIP proxy redundancy: dynamic via DNS SRV, A records
NAT Traversal: Static NAT Route and Traversal by STUN
Support PoE complies with IEEE802. with3af (optional)

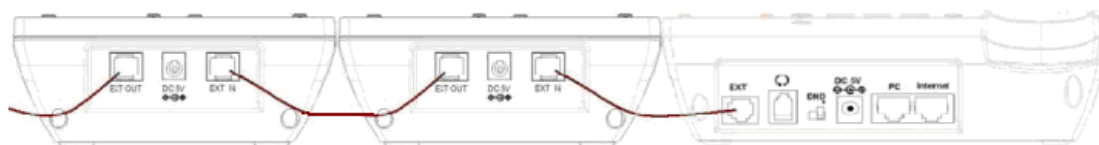
2.9 With Expansion Module (EXP40)

Following picture 4 display the IP652 connect to one EXP40.



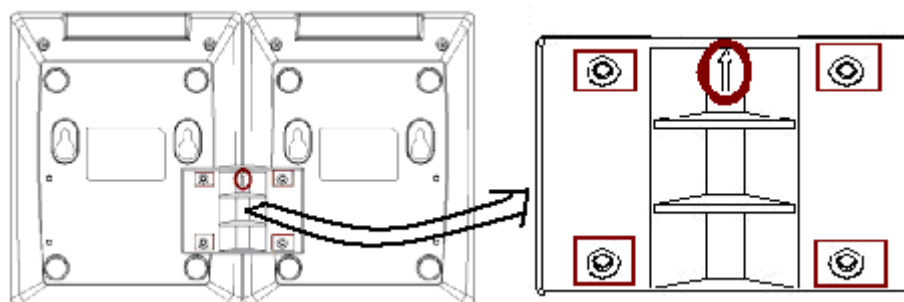
Picture 4 IP652 connect to one EXP40

Following picture 52 displays the IP652 connect to two EXP40s.



Picture 5 IP652 connect to two EXP40s

Following picture 6 displays the IP652 fix to one EXP40 with four screws, the iron is used to indicator up. ↑

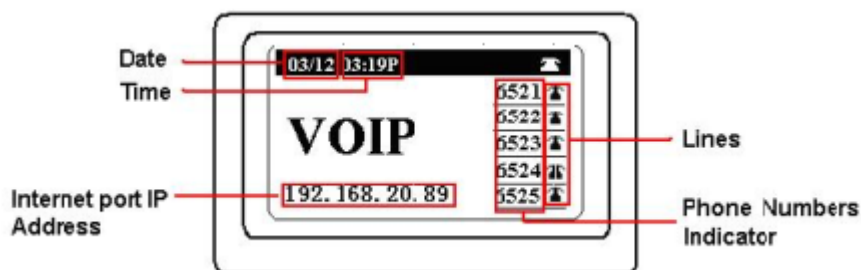


Picture 6 IP652 fix to one EXP40

2.10 LCD Screen

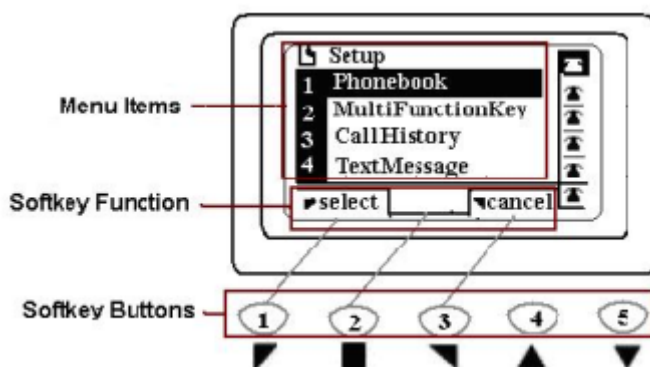
The IP652 has a special 128*64 pixel customized LCD. The LCD transmits the main information to customer, such as date, time, Internet IP address, line status and so on.

Below picture shows the LCD which is in standby:



Picture 7 LCD standby

Below picture shows the LCD which is in menu configuration:



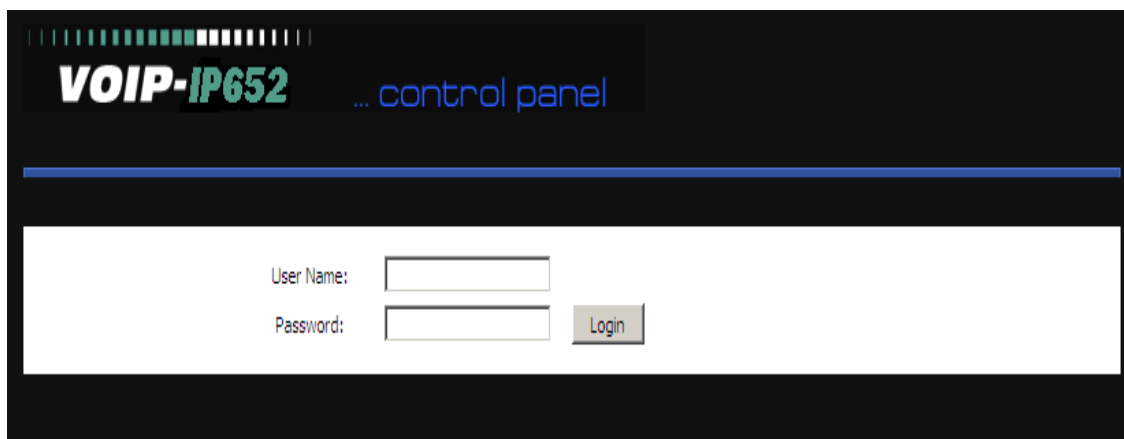
Picture 8 LCD Menu

2.11 Web Configuration

The IP652 supports web configuration with MD5 authentication, and two level configurations which are admin mode and user mode. In admin mode user can configure all parameters, while in user mode user can only configure partly parameters with partly can't configuration such as VoIP settings.

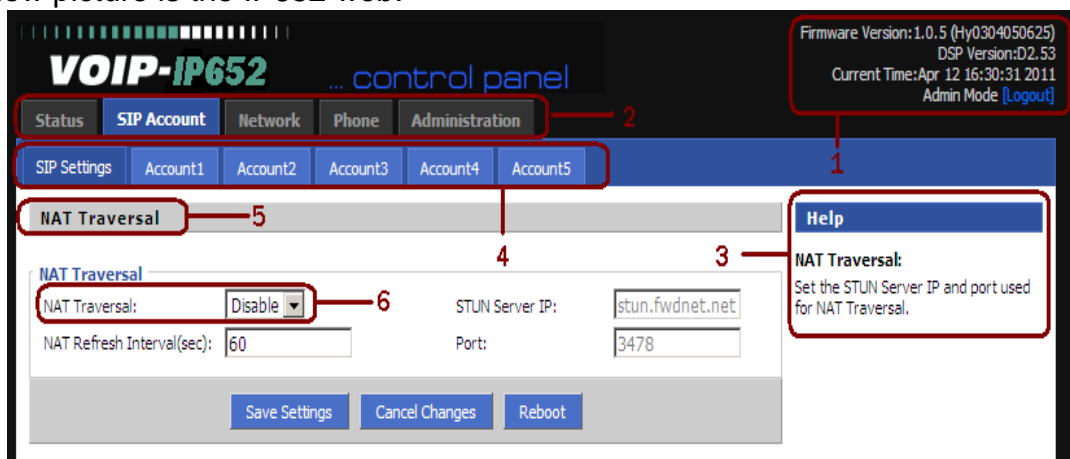
Below picture is the login web: user enters the user name and password to login

and start to configuration



Picture 9 Login webpage

Below picture is the IP652 web:



Picture 10 Configuration webpage

Explanation:

Place 1: Display the main information, such as firmware version, DSP version, Current Time, and configuration mode. Press **Logout** button to logout.

Place 2: Click navigation bar, and then many sub-navigation bars will appear in the place 4.

Place 3: Display the briefly explanation of the corresponding web; user can get help from it directly.

Place 4: Choose sub-navigation bars to open one configuration webpage.

Place 5: The configuration column.

Place 6: Parameters and settings value.

Thank You!

Beijing Flying Voice Technology Limited

Beijing

Add: Room415, ChuangXin Building A#, No.12 HongDa North Rd, BDA, Beijing, China

ZIP code: 100176

Tel: +86-10-67886296

Fax: +86-10-67883237

Shenzhen

Add: Room7007, Tiansha Building, MajiaLong, Industrial area, NanShan district, Shenzhen, China

ZIP code: 518052

Tel: +86-755-26099365

Fax: +86-755-26099347

EASY3CALL Technology Limited. (Beijing)

Support Contact: Rong Peng (pengrong@e3call.com)

Sales Contact: Faye Wang (fayewang@e3call.com / Sales@e3call.com)